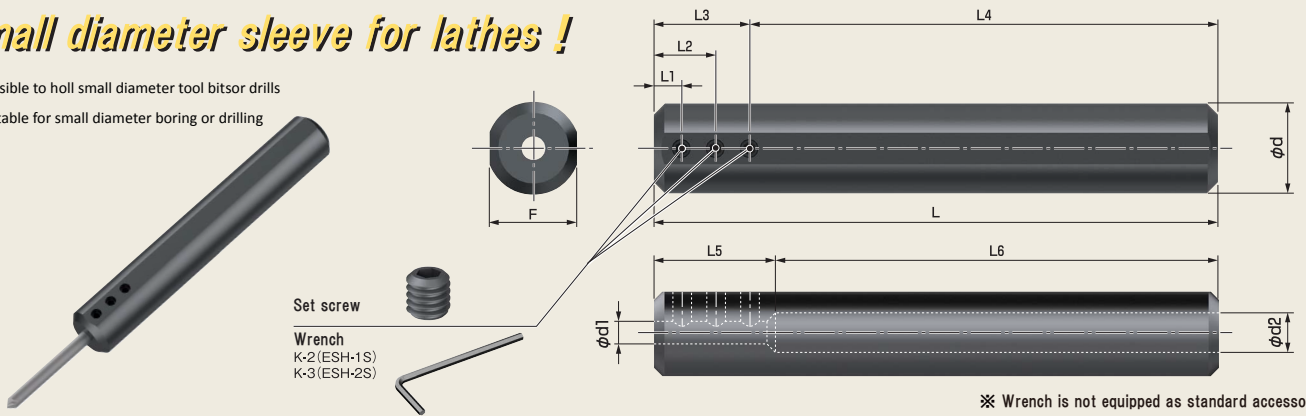


Small diameter sleeve for lathes !

- Possible to hold small diameter tool bit or drills
- Suitable for small diameter boring or drilling



※ Wrench is not equipped as standard accessory
 ※ Set screw are supplied as standard accessory

Body

Model No.	Dimensions (mm)											Set screw
	ϕd	$\phi d1$	$\phi d2$	L	L1	L2	L3	L4	L5	L6	F	
NEW ESL0416	16	4	10	100	5	11	17	83	20	80	15	ESH-1S
NEW ESL0516	16	5	10	100	5	11	17	83	20	80	15	ESH-1S
NEW ESL0616	16	6	10	100	5	11	17	83	20	80	15	ESH-1S
NEW ESL0816	16	8	10	100	6	16	26	74	40	60	15	ESH-2S
NEW ESL1016	16	10	12	100	6	16	26	74	40	60	15	ESH-2S
NEW ESL0420	20	4	10	100	5	11	17	83	20	80	19	ESH-1S
NEW ESL0520	20	5	10	100	5	11	17	83	20	80	19	ESH-1S
NEW ESL0620	20	6	10	100	5	11	17	83	20	80	19	ESH-1S
NEW ESL0820	20	8	10	100	6	16	26	74	40	60	19	ESH-2S
NEW ESL1020	20	10	12	100	6	16	26	74	40	60	19	ESH-2S
NEW ESL1220	20	12	14	100	6	16	26	74	40	60	19	ESH-2S

Set screw

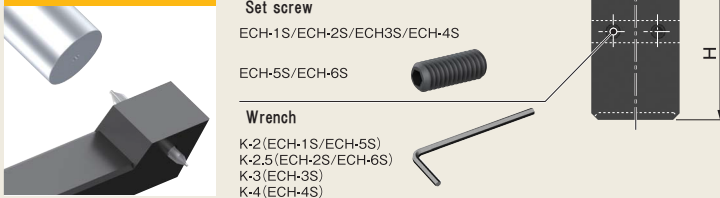
Model No.	Dimensions (mm)	
	Set screw	1SET
ESH-1S	M4×4	3
ESH-2S	M6×6	3

※1SET include (set screw × 3)

Center hole machining is possible!

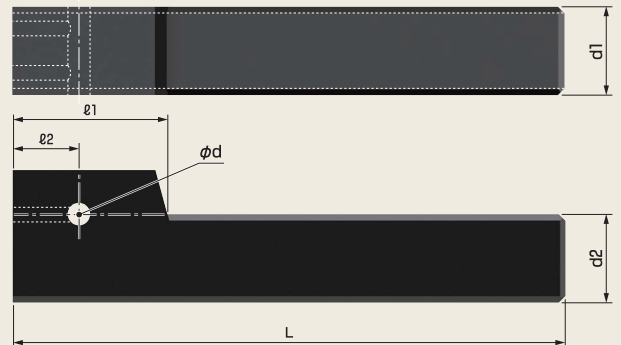
- Shaped as outer tool bit, but used for innertool bit senter drill etc
- Possible to use holders for outer cutting and shorten setup change time
- Useful when the number of inner and diameter cutting tool holder is limited

Center hole processing



Set screw
 ECH-1S/ECH-2S/ECH3S/ECH-4S
 ECH-5S/ECH-6S

Wrench
 K-2 (ECH-1S/ECH-5S)
 K-2.5 (ECH-2S/ECH-6S)
 K-3 (ECH-3S)
 K-4 (ECH-4S)



※ Wrench is not equipped as standard accessory
 ※ Set screw are supplied as standard accessory

Body

Model No.	Dimensions (mm)								Set screw
	ϕd	d1	d2	L	$\phi 1$	$\phi 2$	H		
NEW ESB2020K05	5	20	20	125	35	15	30	ECH-1S	
NEW ESB2020K06	6	20	20	125	35	15	30	ECH-2S	
NEW ESB2020K08	8	20	20	125	35	15	30	ECH-3S	
NEW ESB2020K10	10	20	20	125	35	15	30	ECH-4S	
NEW ESB2020K12	12	20	20	125	35	15	30	ECH-4S	
NEW ESB2525M05	5	25	25	150	35	15	35	ESH-5S	
NEW ESB2525M06	6	25	25	150	35	15	35	ESH-6S	
NEW ESB2525M08	8	25	25	150	35	15	35	ESH-3S	
NEW ESB2525M10	10	25	25	150	35	15	35	ESH-4S	
NEW ESB2525M12	12	25	25	150	35	15	35	ESH-4S	

Set screw

Model No.	Dimensions (mm)	
	Set screw	1SET
ECH-1S	M4×10	2
ECH-2S	M5×10	2
ECH-3S	M6×10	2
ECH-4S	M8×10	2
ECH-5S	M4×10	3
ECH-6S	M5×10	3

※1SET include (set screw × 2or3)